

10kg front load washer, with SensorWash technology and 5 star energy and 4.5 star WELS rating. The washer features Wi-Fi connectivity, and the latest twin sensor wash technology, UltraMix + Jet system, Woolmark Blue certification and vapour refresh options.



Product Details

FEATURES

High performance 1400 rpm spin cycle

Woolmark Blue Certified

Gentle Drum
More smaller holes allow water to pass in and out of the drum quickly, while also helping to reduce pulling of your clothes during high-speed spinning.

Extra-Large Door Opening

Add Clothes
With our Add Clothes function, you can quickly add those forgotten items. It can only be used when the water level is below the door and on programs where the water temperature is less than 60 degrees Celsius.

5 Energy Stars rated

Save your favourite program

EcoInverter
The ecoinverter motor delivers quieter operation, improvements in energy efficiency and improved durability, backed by a 10 year parts & labour inverter motor warranty ensuring peace of mind.

BENEFITS

Hygienic Care
Electrolux front load washers with Hygienic Care option selected remove up to 99.2% of Der f1 (dust mite) and Fel d1 (cat allergen) and up to 99.9% of Staphylococcus aureus and Klebsiella pneumonia during a 40C cottons wash.

Intuitive and intelligent
Keep colours bright, whites startling and blacks dark. Smart sensors automatically detect the soil and detergent levels to adjust the washing time for optimal, energy-efficient results that reduces unnecessary wear on fabrics.

Deeper clean
Say goodbye to detergent or soil residue on your freshly washed garments. UltraMix ensures detergent is fully dissolved before it reaches your fabrics for 40% less colour fading after 52 washes, even using cold water.

Hand it to us
You can safely trust your Electrolux to treat your delicate wool garments with utmost care. Our wool cycle is proven to be gentle enough even for your hand wash only woollens, keeping them as fresh and lovely as they felt when you first put them on.

Quietly efficient

Reduce your energy needs by up to 50% with a powerful and reliable EcoInverter motor. With the 10 year parts and labour inverter motor warranty your Electrolux will deliver, wash after wash, year after year. *vs Electrolux non inverter motors

Extra-Large Door Opening

The extra-large door opening was designed to make loading and unloading your machine a breeze. With easy access to the inside drum, you will enjoy better visibility so you never miss those smaller items.

Specifications

PRODUCT PROFILE

Domestic warranty details (yrs)	2
Front Loader Type	Front Loader
Capacity (Kg)	10
Frontloader Wash system	UltraMix, SensorWash

ENERGY FOR WASHING

Energy Star Rating	5
Energy Consumption Warm (KWhr/yr)	218
Water efficiency star rating	4.5
Water consumption (litres)	86
Noise level dBA	52

DIMENSIONS

PRODUCT

Total height (mm)	850
Total width (mm)	600
Total depth (mm)	660

WASH PROGRAMS

Number of Programs	15
Frontloader Wash programs	Delicate, Bedding, spin, Mixed, Energy Saver, Cotton, Wool, Vapour Refresh, Rinse & Spin, App Program, Quick 15, Favourite, Sports, Daily 39, Full Wash 60
Wash options	wash temperatures, Prewash, vapour, spin selection, Stain, Time Manager, Delay End, SensorWash, Remote, Save Favourite, Child Lock
Dispenser	pre-wash dispenser, Powder or liquid detergent dispenser, Fabric softener dispenser

CONTROLS

Type of controls	rotary,Touch button
------------------	---------------------

Control panel colour	blue
----------------------	------

Functions available	prewash,time manager,delay end,Stain,Save Favourite,time remaining,Add Clothes,SensorWash,Vapour,Child Lock,Temperature,Remote
---------------------	--

Type of display	LED
-----------------	-----

DOOR

Reversible	No
------------	----

Door Colour	Chrome
-------------	--------

door lock	Yes
-----------	-----

WASH PROGRAMS

Wash and Dry Programs	N/A
-----------------------	-----

Wash and Dry options	N/A
----------------------	-----

BOWL

Drum material	stainless steel
---------------	-----------------

CABINET

Cabinet Colour	white
----------------	-------

Cabinet material	painted galvanized steel
------------------	--------------------------

TECHNICAL

Water pressure requirements min	50
---------------------------------	----

Water pressure requirements max	800
---------------------------------	-----

Water supply	cold
--------------	------

Inlet hose length	1350
-------------------	------

Inlet hose extension avail as spare part	Yes
--	-----

Drain hose length	1450
-------------------	------

Drain hose extension avail as spare part	Yes
--	-----

Service cord length	1500
---------------------	------

Motor type	Ecoinverter
------------	-------------

Maximum spin speed	1400
--------------------	------

Variable spin speed	Yes
---------------------	-----

Number of spin speeds	6
-----------------------	---

SHIPPING

Shipping Volume (m3)	38.6
----------------------	------

Shipping Weight (Kg)	77.5
----------------------	------

Pack Dimensions Height (mm)	870
-----------------------------	-----

Pack Dimension Width (mm)	635
---------------------------	-----

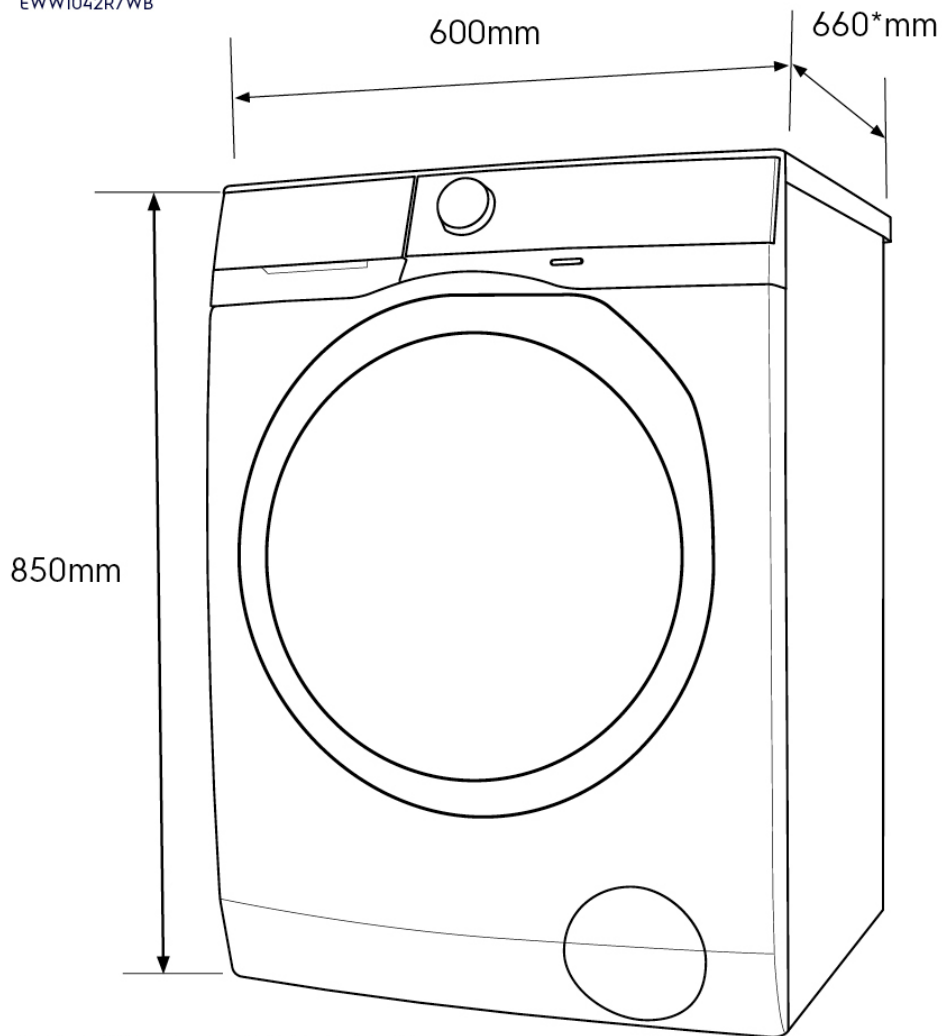
Pack Dimension Depth (mm)	698
---------------------------	-----

STUFFING QUANTITIES

40ft HC	150
---------	-----

Dimensions

Model:
EWF8024Q5WB
EWF9024Q5WB
EWF9042R7WB
EWF1042R7WB
EWF1041R9WB
EWW1042R7WB



*Add 20mm for the hose protrusion at the back.

IMPORTANT

This is a guide of product dimensions only. For complete installation instructions, refer to the manual provided with product.

Terms and Conditions

IMPORTANT

This is a guide of product dimensions only. For complete installation instructions, refer to the manual provided with product.

PRODUCT INFORMATION

The descriptors and illustrations in this publication apply to the specific products and models described as at the date of issue. Under our policy of continuous product development, product specifications may change without notice. Prospective purchasers should therefore check with their retailer to ensure this publication correctly describes the products that are being offered for sale. All information supplied is to be used for general reference purposes only and is on the understanding that Electrolux Home Products Pty Ltd (Australia) and Electrolux (NZ) Ltd (New Zealand) will not be liable for any loss, liability or damage of whatever kind arising as a result of reliance on such information. Colours of products illustrated are as close as printing limitations allow. Electrolux will at all times comply with its obligations pursuant to law including Trade Practices (Australian Consumer Law) Act and Regulations.

WARRANTY

This warranty only applies to Appliances purchased and used in Australia or New Zealand and used in normal domestic applications and is in addition to (and does not exclude, restrict, or modify in any way) any non-excludable statutory warranties in Australia or New Zealand. All warranties are subject to the conditions set out in the warranty card accompanying the product when purchased.

ELECTROLUX HOME PRODUCTS AUSTRALIA

telephone: 1300 363 640

fax: 1800 350 067

email: customercare@electrolux.com.au

web: www.electrolux.com.au

ELECTROLUX HOME PRODUCTS NEW ZEALAND

telephone: 09 573 2230

fax: 09 573 2221

email: customercare@electrolux.co.nz

web: www.electrolux.co.nz